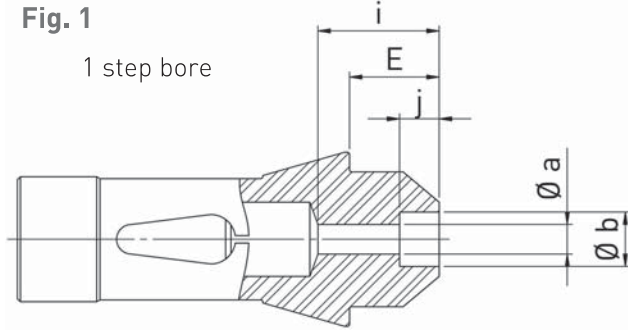


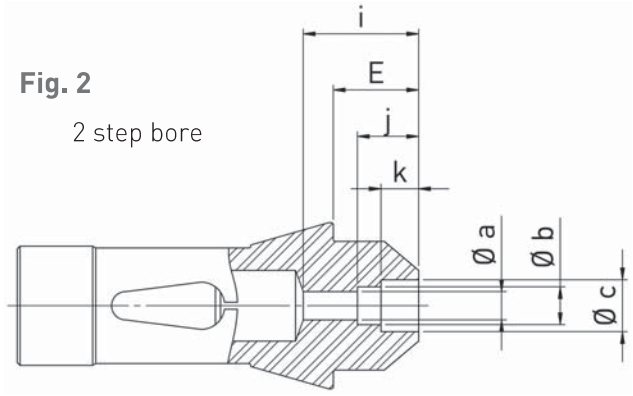
# Custom made collets

## Special executions

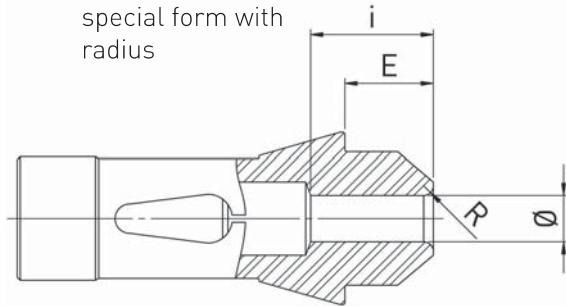
**Fig. 1**  
1 step bore



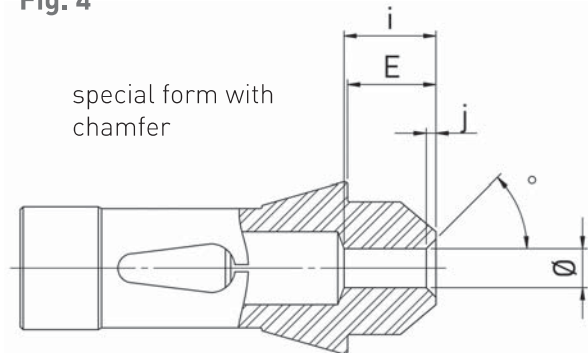
**Fig. 2**  
2 step bore



**Fig. 3**  
special form with radius



**Fig. 4**  
special form with chamfer



Short nose

with key way on shank

with key way on conus

Long nose

Steel

Carbide bore

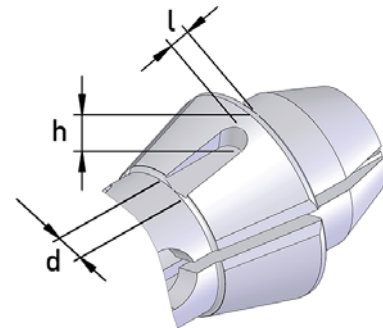
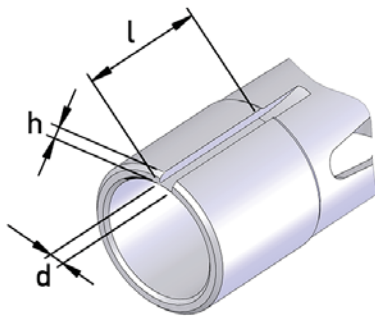


Fig. n°

Ø = \_\_\_\_\_

k = \_\_\_\_\_

Collet type :

Ø a = \_\_\_\_\_

° = \_\_\_\_\_

Qty :

Ø b = \_\_\_\_\_

R = \_\_\_\_\_

Ø c = \_\_\_\_\_

l = \_\_\_\_\_

E = \_\_\_\_\_

h = \_\_\_\_\_

i = \_\_\_\_\_

d = \_\_\_\_\_

j = \_\_\_\_\_

# Custom made collets

## Special executions

Fig. 5

special collet with short gripping

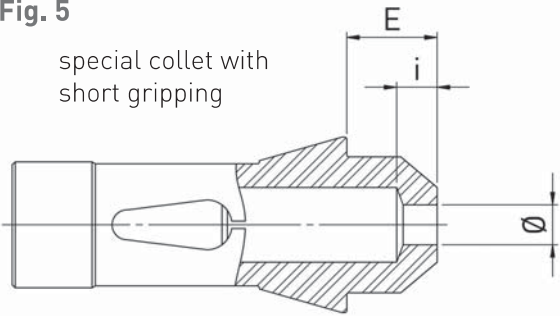


Fig. 6

special collet with front conical bore

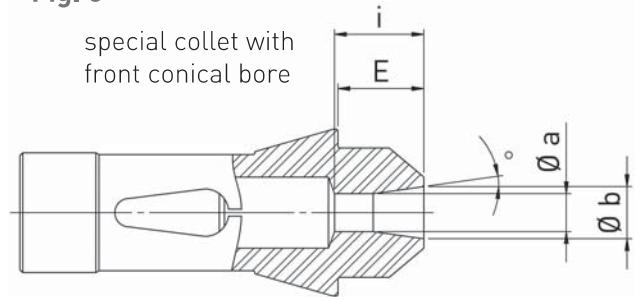


Fig. 7

special collet with back conical bore

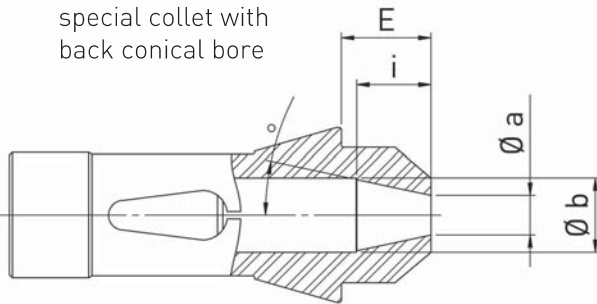
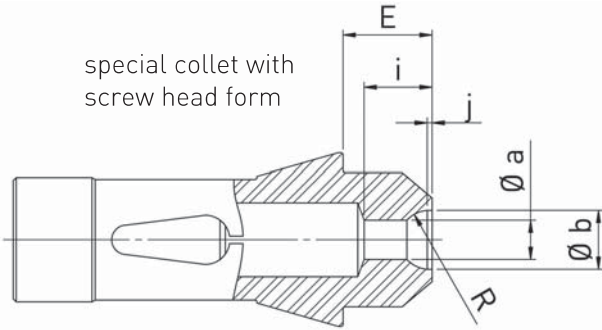


Fig. 8

special collet with screw head form



Short nose

with key way on shank

with key way on conus

Long nose

Steel

Carbide bore

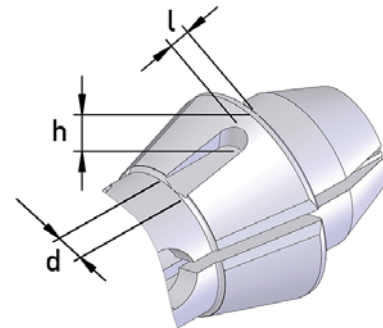
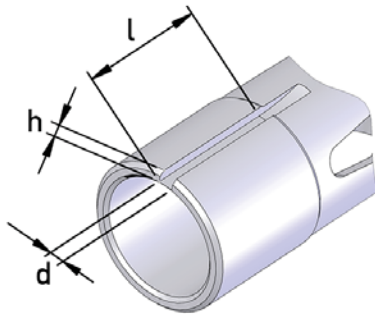


Fig. n°

Ø = \_\_\_\_\_

k = \_\_\_\_\_

Ø a = \_\_\_\_\_

° = \_\_\_\_\_

Collet type :

Ø b = \_\_\_\_\_

R = \_\_\_\_\_

Ø c = \_\_\_\_\_

l = \_\_\_\_\_

Qty :

E = \_\_\_\_\_

h = \_\_\_\_\_

i = \_\_\_\_\_

d = \_\_\_\_\_

j = \_\_\_\_\_