

6 Tool holders

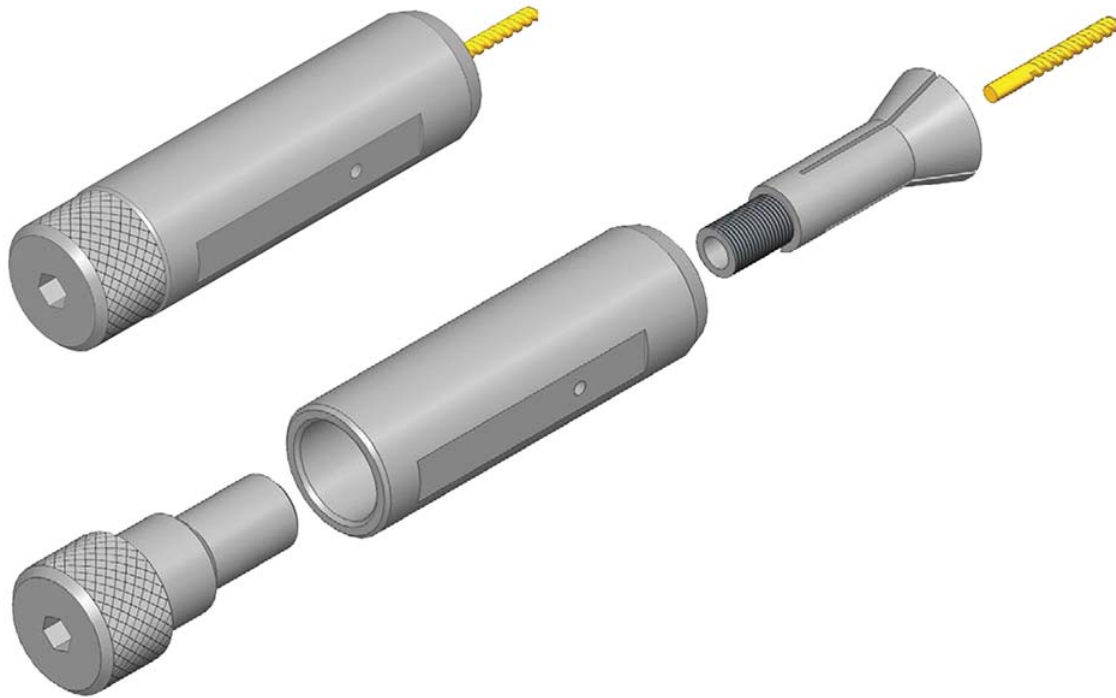
- 6.3 Tool holders
- 6.11 Cylindrical milling arbors
- 6.13 ESX milling arbors
- 6.15 ER milling arbors



Tool holders

B8 cylindrical collet holders

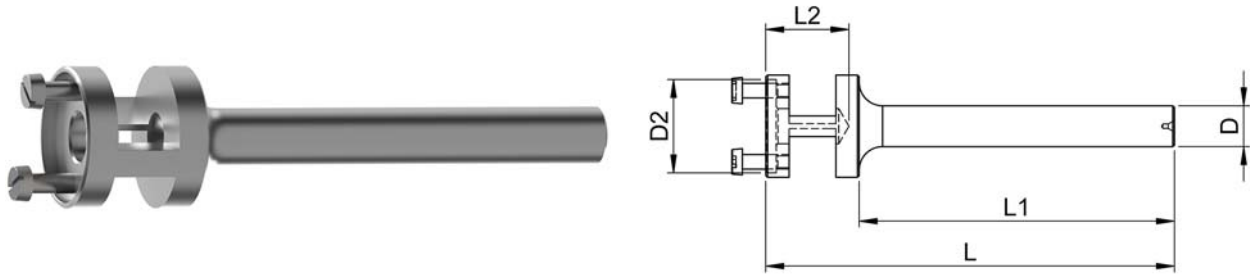
Higher accuracy than usual ER collets



Item No	Shank Ø	Length	Machines type
B8 collet			
B8 12 60	12.00	60.00	Tornos SwissNano / Citizen R07
B8 12 100	12.00	100.00	Tornos SwissNano
B8 5/8" 60	15.875 (5/8")	60.00	Citizen R04 / Citizen R07
B8 16 60	16.00	60.00	Tornos Micro 7 / Tornos Micro 8 / Tsugami P01
B8 16 100	16.00	100.00	Star SR-10J / Tornos Micro 7 / Tornos SwissNano
B8 3/4" 100	19.05 (3/4")	100.00	Citizen C16 / Citizen M16
B8 20 100	20.00	100.00	Tornos Delta 12/20 / Tornos Gamma 20
B8 22 100	22.00	100.00	Star SB-16 / Star SR-20
B8 25 100	25.00	100.00	Tornos Deco 13

Tool holders

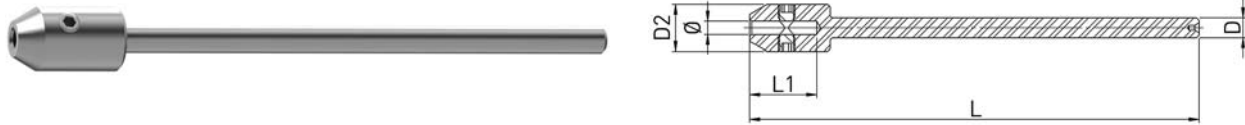
Threading die holders facial fixation



Item No	D	D2	L	L1	L2
short					
PFC120370	3.00	12.00	70.00	54.50	15.50
PFC120470	4.00	12.00	70.00	54.50	15.50
PFC120570	5.00	12.00	70.00	54.50	15.50
PFC160370	3.00	16.00	70.00	53.50	16.50
PFC160470	4.00	16.00	70.00	53.50	16.50
PFC160570	5.00	16.00	70.00	53.50	16.50
PFC200378	3.00	20.00	78.00	51.00	27.00
PFC200478	4.00	20.00	78.00	51.00	27.00
PFC200678	6.00	20.00	78.00	51.00	27.00
PFC200778	7.00	20.00	78.00	51.00	27.00
PFC200878	8.00	20.00	78.00	51.00	27.00
long					
PFL120388	3.00	12.00	88.00	54.00	34.00
PFL120488	4.00	12.00	88.00	54.00	34.00
PFL120588	5.00	12.00	88.00	54.00	34.00
PFL160388	3.00	16.00	88.00	54.00	34.00
PFL160488	4.00	16.00	88.00	54.00	34.00
PFL160588	5.00	16.00	88.00	54.00	34.00
PFL200392	3.00	20.00	92.00	54.00	38.00
PFL200492	4.00	20.00	92.00	54.00	38.00
PFL200692	6.00	20.00	92.00	54.00	38.00
PFL200792	7.00	20.00	92.00	54.00	38.00
PFL200892	8.00	20.00	92.00	54.00	38.00

Tool holders

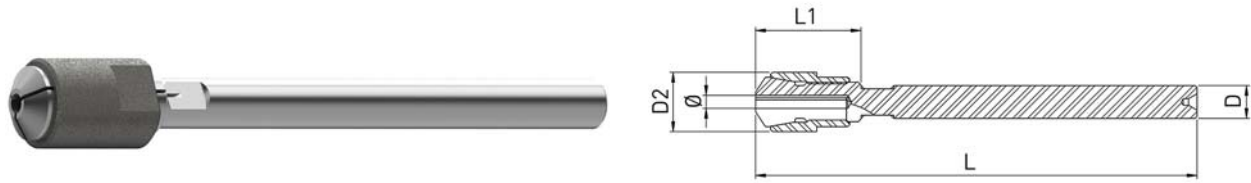
Drill holders



Item No	D	D2	L	L1	Ø
Head Ø 7.00					
PTSC307-Ø	3.00	7.00	67.00	12.00	1.00 - 1.50 - 2.00 - 2.50
PTSC407-Ø	4.00	7.00	67.00	12.00	1.00 - 1.50 - 2.00 - 2.50
PTSC507-Ø	5.00	7.00	67.00	12.00	1.00 - 1.50 - 2.00 - 2.50 - 3.00
PTSL307-Ø	3.00	7.00	75.00	20.00	1.00 - 1.50 - 2.00 - 2.50
PTSL407-Ø	4.00	7.00	75.00	20.00	1.00 - 1.50 - 2.00 - 2.50
PTSL507-Ø	5.00	7.00	75.00	20.00	1.00 - 1.50 - 2.00 - 2.50 - 3.00
Head Ø 10.00					
PTSC310-Ø	3.00	10.00	67.00	12.00	1.00 - 1.50 - 2.00 - 2.50
PTSC410-Ø	4.00	10.00	67.00	12.00	1.00 - 1.50 - 2.00 - 2.50
PTSC510-Ø	5.00	10.00	67.00	12.00	1.00 - 1.50 - 2.00 - 2.50 - 3.00
PTSL310-Ø	3.00	10.00	75.00	20.00	1.00 - 1.50 - 2.00 - 2.50
PTSL410-Ø	4.00	10.00	75.00	20.00	1.00 - 1.50 - 2.00 - 2.50
PTSL510-Ø	5.00	10.00	75.00	20.00	1.00 - 1.50 - 2.00 - 2.50 - 3.00

Tool holders

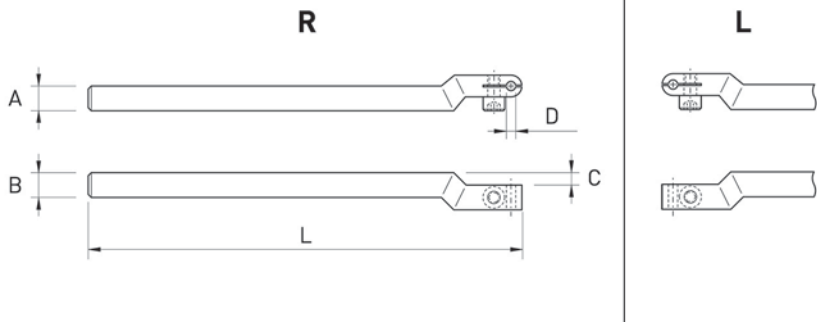
Tap holders



Item No	D	D2	L	L1	Ø
PTP310-Ø	3.00	10.00	67.00	15.00	1.00 - 1.50 - 2.00 - 2.50
PTP510-Ø	5.00	10.00	67.00	15.00	1.00 - 1.50 - 2.00 - 2.50 - 3.00
PTP510-90-Ø	5.00	10.00	90.00	15.00	1.00 - 1.50 - 2.00 - 2.50 - 3.00

Tool holders

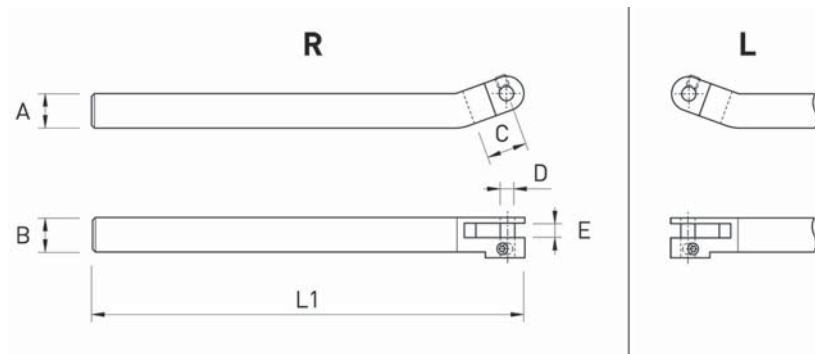
Center drill holders type J



Item No L	Item No R	A x B	L	D	C
6 x 6					
4001-J-615	4002-J-615	6 x 6	132.00	1.50	3.00
4001-J-620	4002-J-620	6 x 6	132.00	2.00	3.00
4001-J-630	4002-J-630	6 x 6	132.00	3.00	3.00
7 x 7					
4001-J-715	4002-J-715	7 x 7	140.00	1.50	3.00
4001-J-720	4002-J-720	7 x 7	140.00	2.00	3.00
4001-J-730	4002-J-730	7 x 7	140.00	3.00	3.00
8 x 8					
4001-J-815	4002-J-815	8 x 8	140.00	1.50	4.00
4001-J-820	4002-J-820	8 x 8	140.00	2.00	4.00
4001-J-830	4002-J-830	8 x 8	140.00	3.00	4.00

Tool holders

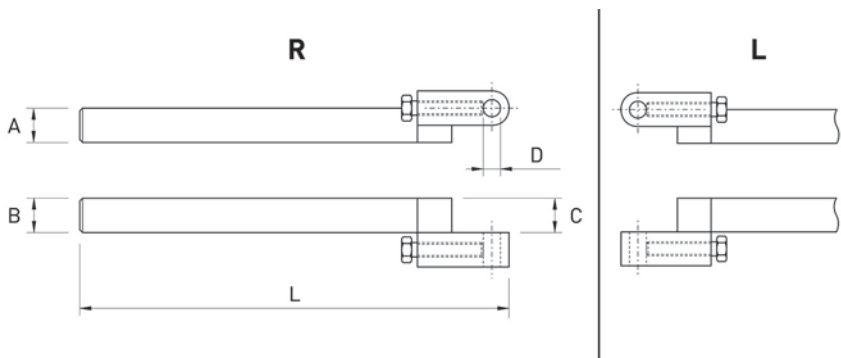
Knurl-holder



Item No L	Item No R	A x B	L1	E	D	C
6 x 6						
4021-623	4022-623	6 x 6	132.00	2.00	3.00	10.00
4021-633	4022-633	6 x 6	132.00	3.00	3.00	10.00
7 x 7						
4021-723	4022-723	7 x 7	140.00	2.00	3.00	10.00
4021-733	4022-733	7 x 7	140.00	3.00	3.00	10.00
4021-743	4022-743	7 x 7	140.00	4.00	3.00	10.00
4021-724	4022-724	7 x 7	140.00	2.00	4.00	10.00
4021-734	4022-734	7 x 7	140.00	3.00	4.00	10.00
4021-744	4022-744	7 x 7	140.00	4.00	4.00	10.00
8 x 8						
4021-823	4022-823	8 x 8	140.00	2.00	3.00	10.00
4021-833	4022-833	8 x 8	140.00	3.00	3.00	10.00
4021-843	4022-843	8 x 8	140.00	4.00	3.00	10.00
4021-824	4022-824	8 x 8	140.00	2.00	4.00	10.00
4021-834	4022-834	8 x 8	140.00	3.00	4.00	10.00
4021-844	4022-844	8 x 8	140.00	4.00	4.00	10.00
10 x 10						
4021-1033	4022-1033	10 x 10	150.00	3.00	3.00	10.00
4021-1043	4022-1043	10 x 10	150.00	4.00	3.00	10.00
4021-1034	4022-1034	10 x 10	150.00	3.00	4.00	10.00
4021-1044	4022-1044	10 x 10	150.00	4.00	4.00	10.00
4021-1054	-	10 x 10	150.00	5.00	4.00	10.00
12 x 12						
4021-1244	4022-1244	12 x 12	150.00	4.00	4.00	12.00
4021-1254	4022-1254	12 x 12	150.00	5.00	4.00	12.00
4021-1245	4022-1245	12 x 12	150.00	4.00	5.00	12.00
4021-1255	4022-1255	12 x 12	150.00	5.00	5.00	12.00
16 x 16						
4021-1644	4022-1644	16 x 16	150.00	4.00	4.00	12.00
-	4022-1645	16 x 16	150.00	4.00	5.00	12.00
-	4022-1655	16 x 16	150.00	5.00	5.00	12.00
-	4022-1664	16 x 16	150.00	6.00	4.00	12.00
-	4022-1666	16 x 16	150.00	6.00	6.00	12.00
-	4022-1686	16 x 16	150.00	8.00	6.00	12.00

Tool holders

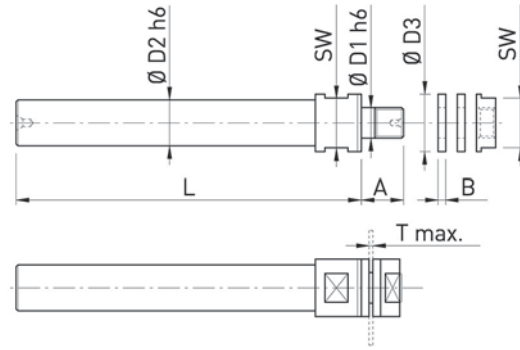
Center drill holders type K



Item No L	Item No R	A x B	L	D	C
7 x 7					
4011-K-720	-	7 x 7	146.00	2.00	7.00
4011-K-730	4012-K-730	7 x 7	146.00	3.00	7.00
4011-K-740	4012-K-740	7 x 7	146.00	4.00	7.00
8 x 8					
4011-K-820	-	8 x 8	146.00	2.00	8.00
4011-K-830	4012-K-830	8 x 8	146.00	3.00	8.00
4011-K-840	4012-K-840	8 x 8	146.00	4.00	8.00
4011-K-850	4012-K-850	8 x 8	146.00	5.00	8.00
4011-K-860	4012-K-860	8 x 8	146.00	6.00	8.00
-	4012-K-1030	8 x 8	150.00	3.00	10.00
10 x 10					
4011-K-1040	4012-K-1040	10 x 10	150.00	4.00	10.00
4011-K-1050	4012-K-1050	10 x 10	150.00	5.00	10.00
4011-K-1060	4012-K-1060	10 x 10	150.00	6.00	10.00
4011-K-1070	4012-K-1070	10 x 10	150.00	7.00	10.00
12 x 12					
-	4012-K-1230	12 x 12	150.00	3.00	12.00
4011-K-1240	4012-K-1240	12 x 12	150.00	4.00	12.00
4011-K-1250	4012-K-1250	12 x 12	150.00	5.00	12.00
4011-K-1260	4012-K-1260	12 x 12	150.00	6.00	12.00
4011-K-1280	4012-K-1280	12 x 12	150.00	8.00	12.00
14 x 14					
4011-K-1440	4012-K-1440	14 x 14	150.00	4.00	14.00
4011-K-1460	4012-K-1460	14 x 14	150.00	6.00	14.00
4011-K-1480	4012-K-1480	14 x 14	150.00	8.00	14.00

Cylindrical milling arbors

Milling arbors with front clamping

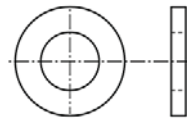


Right hand rotation (right hand thread)

2 distance rings and 1 nut are included with each arbor

Item No	D1	D2	D3	L	A	B	SW	T max.
Type 8152								
8152-3-5	3.00	5.00	5.00	60.00	7.00	1.00	4.00	3.00
8152-5-6	5.00	6.00	7.50	70.00	7.00	1.00	6.00	3.00
Type 8102								
8102-5-6	5.00	6.00	10.00	70.00	9.00	2.00	8.00	6.00
8102-5-10	5.00	10.00	10.00	80.00	9.00	2.00	8.00	6.00
8102-6-10	6.00	10.00	12.00	80.00	9.50	2.00	10.00	6.00
8102-8-10	8.00	10.00	15.00	80.00	10.00	2.00	13.00	6.00
8102-8-12	8.00	12.00	15.00	90.00	10.00	2.00	13.00	6.00
8102-10-6	10.00	6.00	18.00	80.00	10.50	2.00	15.00	6.00
8102-10-10	10.00	10.00	18.00	80.00	10.50	2.00	15.00	6.00
8102-10-16	10.00	16.00	18.00	100.00	10.50	2.00	15.00	6.00
8102-13-16	13.00	16.00	22.00	110.00	11.00	2.00	19.00	6.00
8102-16-20	16.00	20.00	26.00	120.00	12.00	2.00	22.00	6.00
8102-22-16	22.00	16.00	32.00	132.00	13.00	2.00	27.00	6.00
Type 8112								
8112-16-10	16.00	10.00	22.00	80.00	8.00	2.00	19.00	3.00

Spare parts for milling arbors

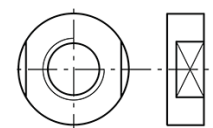


Item No

- 1820-D1*-A
- 2810-D1*-A
- 2811-D1*-A
- 2815-D1*-A
- 2820-D1*-A

2 distance rings and 1 nut are included with each arbor

* Diameter D1 to be specified

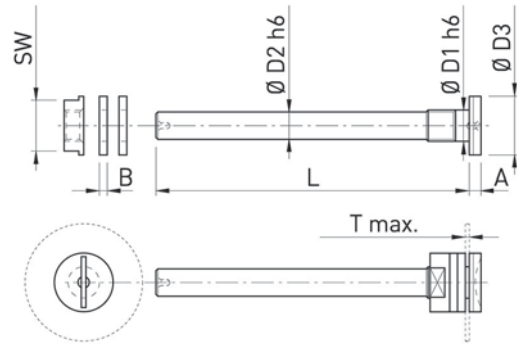


Item No

- 1820-D1*-B
- 2810-D1*-B
- 2811-D1*-B
- 2815-D1*-B
- 2820-D1*-B

Cylindrical milling arbors

Milling arbors with rear clamping

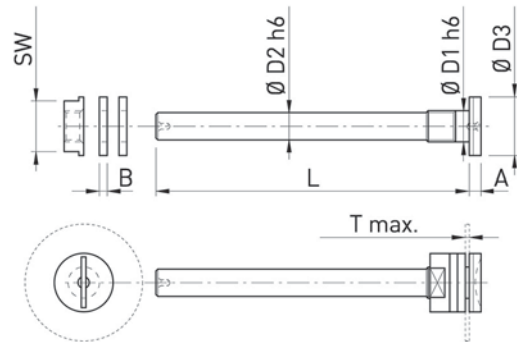


Right hand rotation (left hand thread)

2 distance rings and 1 nut are included with each arbor

Item No	D1	D2	D3	L	A	B	SW	T max.
Type 8202								
8202-5-4	5.00	4.00	10.00	50.00	3.00	2.00	8.00	6.00
8202-6-5	6.00	5.00	12.00	60.00	3.00	2.00	10.00	6.00
8202-8-6	8.00	6.00	15.00	70.00	3.00	2.00	13.00	6.00
8202-8-7	8.00	7.00	15.00	80.00	3.00	2.00	13.00	6.00
8202-10-6	10.00	6.00	18.00	70.00	3.50	2.00	15.00	6.00
8202-10-8	10.00	8.00	18.00	90.00	3.50	2.00	15.00	6.00
8202-13-10	13.00	10.00	22.00	110.00	3.50	2.00	19.00	6.00
8202-16-12	16.00	12.00	26.00	120.00	3.50	2.00	22.00	6.00

Milling arbors with rear clamping - left hand rotation



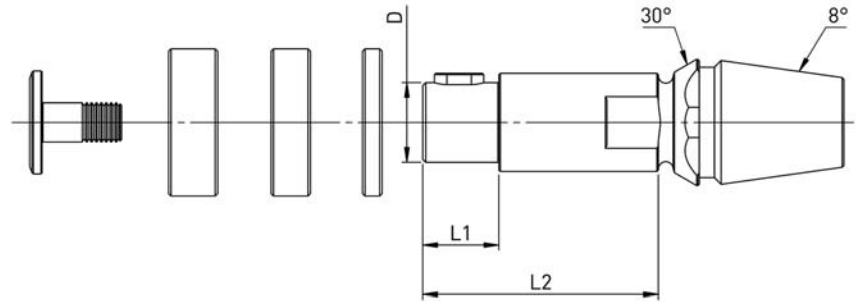
Left hand rotation (right hand thread)

2 distance rings and 1 nut are included with each arbor

Item No	D1	D2	D3	L	A	B	SW	T max.
Type 8201								
8201-5-4	5.00	4.00	10.00	50.00	3.00	2.00	8.00	6.00
8201-6-5	6.00	5.00	12.00	60.00	3.00	2.00	10.00	6.00
8201-8-6	8.00	6.00	15.00	70.00	3.00	2.00	13.00	6.00
8201-10-6	10.00	6.00	18.00	70.00	3.50	2.00	15.00	6.00

ESX milling arbors

ESX milling arbors



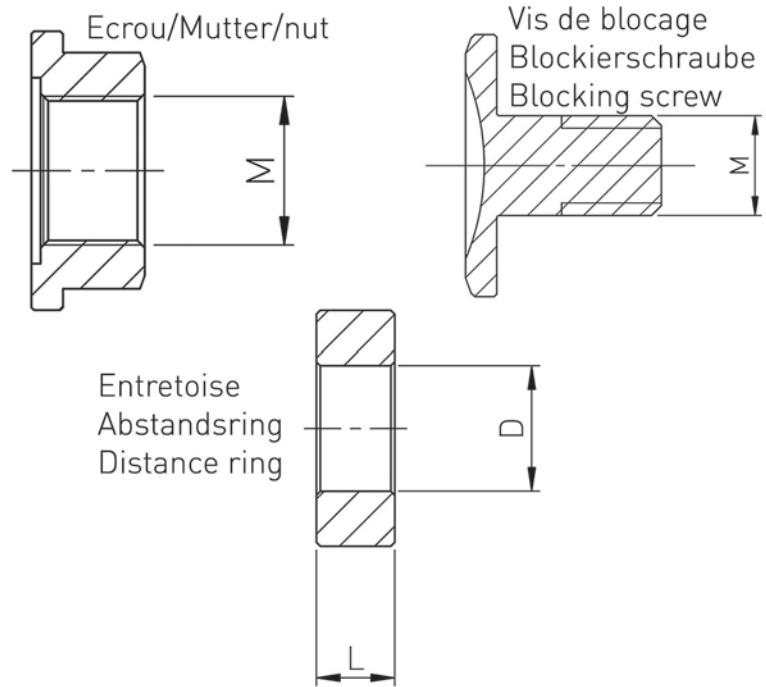
- 3 distance rings, 1 screw and 1 nut are included with each arbor
- * = with keyway



Item No	D	L1	L2	Fastening
Type ESX 12 - short				
2405	5.00	10.00	20.00	screw
2406	6.00	10.00	20.00	screw
2408	8.00	10.00	20.00	screw
Type ESX 12 - long				
2505	5.00	22.00	27.00	screw
2506	6.00	22.00	27.00	screw
2508	8.00	22.00	27.00	screw
Type ESX 20 - short				
2208	8.00	15.50	43.00	screw
2210	10.00	15.50	43.00	screw
2213	13.00	15.50	43.00	screw
Type ESX 20 - long				
2308*	8.00	25.00	43.00	nut
2310*	10.00	25.00	43.00	nut
2313*	13.00	25.00	43.00	nut
Type ESX 25 - short				
2008	8.00	15.50	49.00	screw
2010	10.00	15.50	49.00	screw
2013	13.00	15.50	49.00	screw
2016	16.00	15.50	49.00	screw
Type ESX 25 - long				
2108*	8.00	25.00	49.00	nut
2110*	10.00	25.00	49.00	nut
2113*	13.00	25.00	49.00	nut
2116*	16.00	25.00	49.00	nut

ESX milling arbors

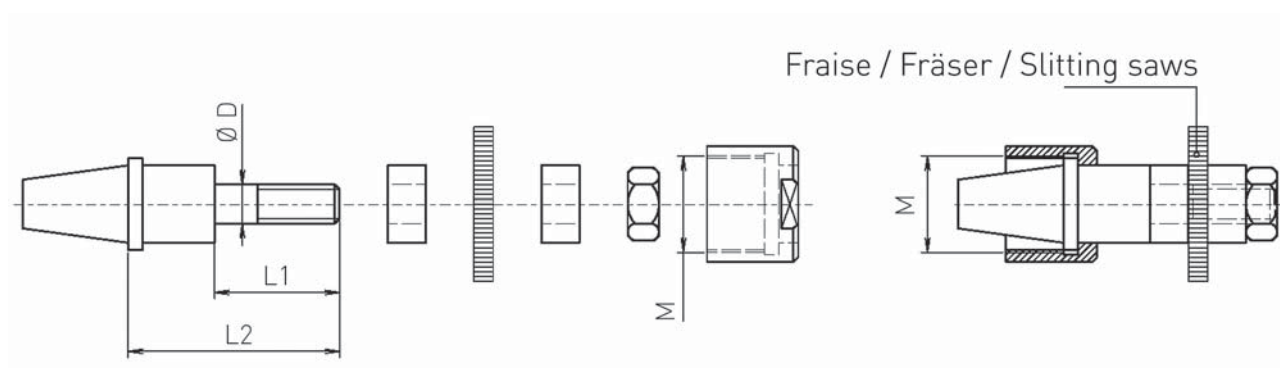
Spare parts for ESX milling arbors



Item No	D	L	M
Hex. nut			
2605			M5.00
2606			M6.00
2608			M8.00
2610			M10.00 x 1.00
2613			M13.00 x 1.00
2616			M16.00 x 1.00
Blocking screw			
2705			M5.00
2708			M8.00
distance ring			
2805	5.00	4.00 / 6.00 / 8.00	
2806	6.00	4.00 / 6.00 / 8.00	
2808	8.00	4.00 / 6.00 / 8.00	
2810	10.00	4.00 / 8.00 / 10.00	
2813	13.00	4.00 / 8.00 / 10.00	
2816	16.00	4.00 / 8.00 / 10.00	
distance ring with keyway			
2908	8.00	4.00 / 6.00 / 8.00	
2910	10.00	4.00 / 8.00 / 10.00	
2913	13.00	4.00 / 8.00 / 10.00	
2916	16.00	4.00 / 8.00 / 10.00	

ER milling arbors

ER milling arbors



Milling arbor with ER schank

Size available :

- ER 11
- ER 16
- ER 8

Supplied with cap nut

* Also available for ESX12 chuck

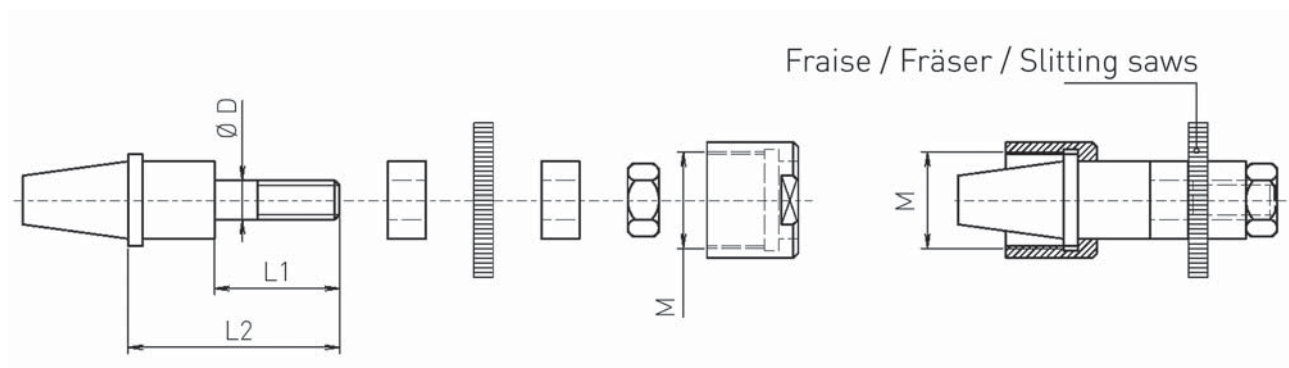
L2 without lock screw

Item No	D	L1	L2	M	Nut	Wrench
Type ER8						
TA-ER08M-05	5.00	25.00	29.00	M10 x 0.75	ECR/ER08M	N-5
TA-ER08M-06	6.00	25.00	29.00	M10 x 0.75	ECR/ER08M	N-6
TA-ER08M-08	8.00	25.00	29.00	M10 x 0.75	ECR/ER08M	GS14
Type ER11						
TA-ER11M-05K	5.00	18.00	23.00	M13 x 0.75	ECR/ER11M	N-6
TA-ER11M-05	5.00	25.00	31.00	M13 x 0.75	ECR/ER11M	N-5
TA-ER11M-05L	5.00	25.00	40.00	M13 x 0.75	ECR/ER11M	N-5
TA-ER11M-06	6.00	18.00	23.00	M13 x 0.75	ECR/ER11M	N-6
TA-ER11M-06K	6.00	17.00	23.00	M13 x 0.75	ECR/ER11M	N-6
TA-ER11M-06S	6.00	21.00	26.00	M13 x 0.75	ECR/ER11M	N-6
TA-ER11M-08K	8.00	21.00	26.00	M13 x 0.75	ECR/ER11M	GS14
TA-ER11M-08	8.00	25.00	30.00	M13 x 0.75	ECR/ER11M	GS14
TA-ER11M-08L	8.00	35.00	40.00	M13 x 0.75	ECR/ER11M	GS14
TA-ER11M-10K	10.00	21.00	26.00	M13 x 0.75	ECR/ER11M	GS14
TA-ER11M-10	10.00	25.00	30.00	M13 x 0.75	ECR/ER11M	GS14
TA-ER11M-13K	13.00	24.00	32.00	M13 x 0.75	ECR/ER11M	SLF13
TA-ER11M-13	13.00	28.00	33.00	M13 x 0.75	ECR/ER11M	SLF13
TA-ER11M-13L	13.00	39.00	44.00	M13 x 0.75	ECR/ER11M	SLF13
Type ER11*						
TA-ER11-05K	5.00	18.00	23.00	M14 x 0.75	ECR/ER11	N-5
TA-ER11-05	5.00	25.00	31.00	M14 x 0.75	ECR/ER11	N-5
TA-ER11-05L	5.00	25.00	40.00	M14 x 0.75	ECR/ER11	N-5
TA-ER11-06	6.00	18.00	23.00	M14 x 0.75	ECR/ER11	N-6
TA-ER11-08K	8.00	21.00	26.00	M14 x 0.75	ECR/ER11	GS14
TA-ER11-08	8.00	25.00	30.00	M14 x 0.75	ECR/ER11	GS14
TA-ER11-08L	8.00	35.00	40.00	M14 x 0.75	ECR/ER11	GS14
TA-ER11-10K	10.00	21.00	26.00	M14 x 0.75	ECR/ER11	GS14
TA-ER11-10	10.00	25.00	30.00	M14 x 0.75	ECR/ER11	GS14
TA-ER11-13K#	13.00	24.00	32.00	M14 x 0.75	ECR/ER11	SLF13
TA-ER11-13#	13.00	28.00	33.00	M14 x 0.75	ECR/ER11	SLF13
TA-ER11-13L#	13.00	39.00	44.00	M14 x 0.75	ECR/ER11	SLF13

ER milling arbors

ER milling arbors

continuation ...



Milling arbor with ER schank

Size available :

- ER 11
- ER 16
- ER 8

Supplied with cap nut

* Also available for ESX12 chuck

L2 without lock screw

Item No	D	L1	L2	M	Nut	Wrench
Type ER16						
TA-ER16M-05K	5.00	13.00	33.00	M19 x 1.00	ECR/ER16M	N-5
TA-ER16M-05	5.00	15.00	42.00	M19 x 1.00	ECR/ER16M	N-5
TA-ER16M-06	6.00	13.00	36.00	M19 x 1.00	ECR/ER16M	N-6
TA-ER16M-08	8.00	26.00	42.00	M19 x 1.00	ECR/ER16M	GS14
TA-ER16M-08L	8.00	35.00	50.00	M19 x 1.00	ECR/ER16M	GS14
TA-ER16M-10	10.00	26.00	44.00	M19 x 1.00	ECR/ER16M	GS14
TA-ER16M-13#	13.00	26.00	42.00	M19 x 1.00	ECR/ER16M	SLF13
TA-ER16M-13L#	13.00	35.00	50.00	M19 x 1.00	ECR/ER16M	SLF13
TA-ER16-05K	5.00	13.00	33.00	M22 x 1.50	ECR/ER16	N-5
TA-ER16-05	5.00	15.00	42.00	M22 x 1.50	ECR/ER16	N-5
TA-ER16-05L	5.00	26.00	41.00	M22 x 1.50	ECR/ER16	
TA-ER16-06	6.00	13.00	36.00	M22 x 1.50	ECR/ER16	N-6
TA-ER16-06L	6.00	26.00	44.00	M22 x 1.50	ECR/ER16	
TA-ER16-08	8.00	26.00	42.00	M22 x 1.50	ECR/ER16	GS14
TA-ER16-08L	8.00	35.00	50.00	M22 x 1.50	ECR/ER16	GS14
TA-ER16-10	10.00	26.00	44.00	M22 x 1.50	ECR/ER16	GS14
TA-ER16-10L	10.00	35.00	50.00	M22 x 1.50	ECR/ER16	GS14
TA-ER16-13	13.00	26.00	42.00	M22 x 1.50	ECR/ER16	SLF13
TA-ER16-13L#	13.00	35.00	50.00	M22 x 1.50	ECR/ER16	SLF13