

# 10 Binoculars

## 10.3 Binoculars





# Binoculars

## ASC0 Binocular Microscope SPZ-50SBG



- ASC0 BINOCULAR MICROSCOPE
- The microscope includes a 303 mm high column and a 9W fluorescent built-in light. The eyepieces are 45° inclined and the desk is 360° rotatable.
- Magnification : 6.7 to 50x  
Zoom : 7.50 : 1  
Working distance : 108 mm  
Base : plate 144 x 260 mm  
Diopter adjustment : +/- 7.2 D  
Total height : 405 mm

Designation	Item No
SPZ-50SBG	17524
Idem without light	17498
rubber eye guard for SPZ type	17496
Protective Cover	17493
Diffuser for LED lamp	17525

## ASC0 Binocular Microscope DSZ-44T with Zoom



- ASC0 BINOCULAR MICROSCOPE
- The microscope is delivered with an incident 9W fluorescent built-in light and a 20W tungsten transmitted light allowing the highest performances. The eyepieces are 45° inclined and the desk is 360° rotatable.
- Magnification : 10 to 44 x  
Zoom : 4.40 : 1  
Working distance : 90 mm  
Base : plate 160 x 219 mm  
Diopter adjustment : + 5.60 D - 7.20 D  
Total height : 352 mm

Designation	Item No
DSZ-44T	17503
rubber eye guard for DSZ type	17497
Transparent glass pad	17494
Blue filter glass pad	17495
Protective Cover	17493

## ASC0 Binocular Microscope SPZ-50PS



- The microscope is delivered without light for the installation on a BOOM base. The eyepieces are 45° inclined and the desk is 360° rotatable.
- ASC0 BINOCULAR MICROSCOPE
- Magnification : 6.70 to 50x  
Zoom : 7.50 : 1  
Working distance : 108 mm  
Base : plate 220 x 284 mm  
Diopter adjustment : +/- 7.2 D  
Total height : 372 mm

Designation	Item No
SPZ-50PS	17502



# Binoculars

## ASCO Triocular Microscope SPZT-50UNF-SM



- ASCO TRIOCULAR MICROSCOPE
- SPZ-50 series is provided with a zoom that allows a magnification going from 6.7 to 50x with a standard eyepiece DHW10x. SPZT series allows the addition of an extra eyepiece that can be used for taking pictures of filming. A ring provided on the vertical tube allows the adjustment of the focal. The microscope includes a 303 mm high column and a 9W fluorescent built-in light. The eyepieces are 45° inclined and the desk is 360° rotatable.
- Magnification : 6.70 to 50x  
Zoom : 7.50 : 1  
Working distance : 108 mm  
Base : plate 230 x 230 mm  
Diopter adjustment : +/- 7.20 D  
Total height : 488 mm

Designation	Item No
SPZT-50UNF-SM	17501
rubber eye guard for DSZ type	17497

## ASCO Triocular Microscope SPZT-50BF-SM



- ASCO TRIOCULAR MICROSCOPE
- The microscope includes a 303 mm high column and a 9W fluorescent built-in light. The additional eyepiece can be used for video or taking pictures.
- Magnification : 6.70 to 50x  
Zoom : 7.50 : 1  
Working distance : 108 mm  
Base : plate 144 x 260 mm  
Diopter adjustment : +/- 7.20 D  
Total height : 405 mm

Designation	Item No
SPZT-50SBF-SM	17499

## CMOS camera for ASCO Microscope Z1014E



- The C-Image software allows the digitization, visualization and the saving of the image. This software, provided with the camera, allows the measuring and can be calibrated thanks to a calibration scale EP25-C10/100 provided separately. An eyepiece adapter is included.
- CAMERA FOR MICROSCOPE
- CCD camera : 640 x 480 (310 kpixels)  
Minimal lighting : 1.2 lux  
Refresching : 30 images/s  
Manual or automatic exposure  
Relation signal/noise : 44dB  
USB1.1 interface compatible with USB2.0  
Image size : 320 x 240, 640 x 480  
Consumption : 0.75W, 100mA  
Working temperature : +/-20°C

Type	Designation	Item No
dimension : 1/4"	Z1014E	17504
dia 25 mm, croix 10/100	EP25-C10/100	17512

# Binoculars

## ASCO Adapter for camera



- Optical connection socket for camera SLR Type. Ring for cameras of the listed brands to be used with optical socket T-Micro. Compatible models are to be indicated in the order.
- ASCO Adapter for camera T-Micro
- T-PENTAX/S                    T-CANON/EOS
- T-PENTAX/F                    T-OLYMPUS/OM
- T-NIKON/F                      T-OLYMPUS/E 4/3
- T-MINOLTA/SR                T-KONICA
- T-MINOLTA/A                 T-FUJICA
- T-CANON/F                    T-CONTAX

Type	Designation	Item No
T-micro	upper adaptor	17513
T-mount	ring	17514

## CCD camera ASCO Adapter



- Adapter for CCD camera with C assembling

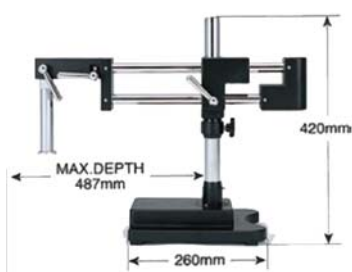
Designation	Item No
ASCO TVA-45	17511

## Spare Lighting



Type	Designation	Item No
TB20-23020	Rear-light	17520
FCL9EX-N	Direct fluorescent light	17521

## Boom Stand DBS-1



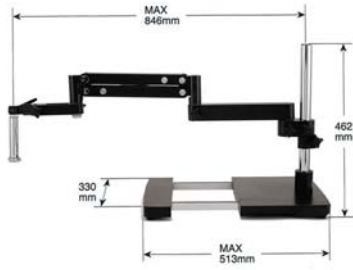
- BOOM STAND DBS-1
- Universal stand with double arm without counter-weight. Very good stability, ideal for various types of assembling with binocular type SPZ50PS

Type	Designation	Item No
DBS-1	Boom Stand	17505



# Binoculars

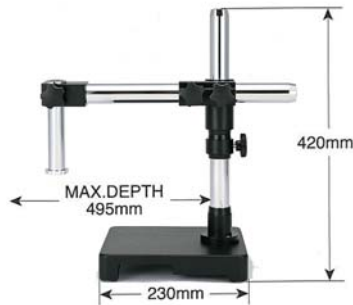
## Boom Stand V-7C



- BOOM STAND V-7C
- Universal boom stand V-7C model with articulated arm without counter-weight. Very good stability, ideal for various types of assembling with binocular type SPZ50PS.

Type	Designation	Item No
V-7C	Boom Stand	17507

## Boom Stand SBS-1



- BOOM STAND SBS-1
- Universal BOOM stand SBS-1 model with one arm without counter-weight. Very good stability, ideal for various types of assembling with binocular type SPZ50PS.

Type	Designation	Item No
SBS-1	BOOM Stand	17506

## Boom Stand V-3C



- BOOM STAND V-3C
- Universal boom stand with G clamp fixation and articulated arm.

Type	Designation	Item No
V-3C	Boom Stand	17518

## ASC0 X-Y Gliding stage XR723



- ASC0 X-Y Gliding Stage
- Gliding stage with closed circulation linear bearing.  
Size : 350 x 250 x 103  
Base plate : 520 x 480  
Movement : 360 x 418

Designation	Item No
Stage XR723	17522

# Binoculars

## ASCO Optical fiber illuminator



- Cold light 150W optical fiber illuminator with ring light guide. Adjustable intensity, long life last (~2000h)

Designation	Item No
cold light ASCO L-150AR60/L	17508

## Optical fiber illuminator ASCO L-150AB/L



- Cold light 150W optical fiber illuminator. Adjustable intensity with ring light guide, long life time (~2000h). The additional sockets allow a lighting going from a 20 to 200 mm distance on a 10 to 40 mm diameter surface.

Designation	Item No
cold light L-150AB/L	17509
optical socket L-150FL	17515

## ASCO white LED ring illuminator MIC56



- ASCO white LED ring illuminator MIC56
- Ring illuminator with 56 white LEDs, continuously adjustable intensity. White colour 4300°K Long life last.

Designation	Item No
ring illuminator MIC-56	17510

## ASCO White LED ring illuminator LED-60T



Designation	Item No
ring illuminator LED-60T	17516

